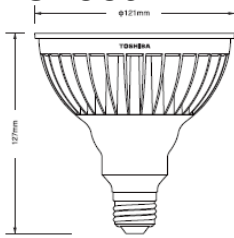


Specification sheet



Product description
Model name
Product Code
EAN code
ITF code

Toshiba LED LAMP E-CORE™
LDRC2027ME7EUD
218-50382
4974550427180
24974550427184

■ The strong point of TOSHIBA E-CORE LED Lamp

- Low energy and high efficacy.
- Mercury Free
- Instant full light
- Low Heat Radiation
- Low UV radiation

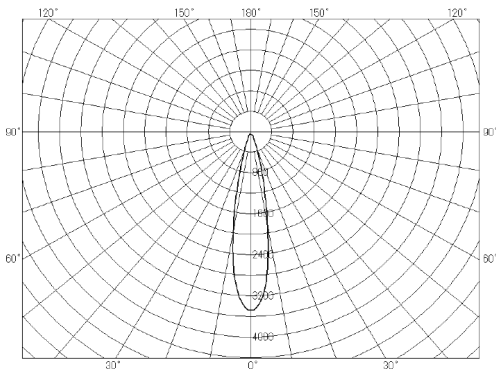
■ Technical DATA

Rated Voltage (V)	220-240
Rated Wattage (W)	19.7
Frequency (Hz)	50 / 60
Rated Input Current (mA)	110
Power Factor	0.78
Luminous Flux(lm)	(920)
Colour Description	Warm White
Colour Temperature (K)	2700
Colour Rendering Index (Ra)	80
Beam Angle (°)	25
CBCP (cd)	3200
Lamp Efficacy (lm / W)	(46.7)
Rated Lamp Lifetime (h)	40,000
Dimming	Dimmable
Overall Length (mm)	127
Diameter (mm)	121
Net Weight (g)	525
Cap	E27
LED Min Lumens to claim wattage equivalence (W)	-

■ Packaging Details

Packaging Type(Std.Pkg.Q'ty)	Dimensions (L×W×H)	Gross Weight (g)	EAN / ITF CODE
Gift Box (1pce)	137mm×137mm×146mm	640g	4974550427180
Outer carton (6pcs)	418mm×281mm×155mm	4200g	24974550427184

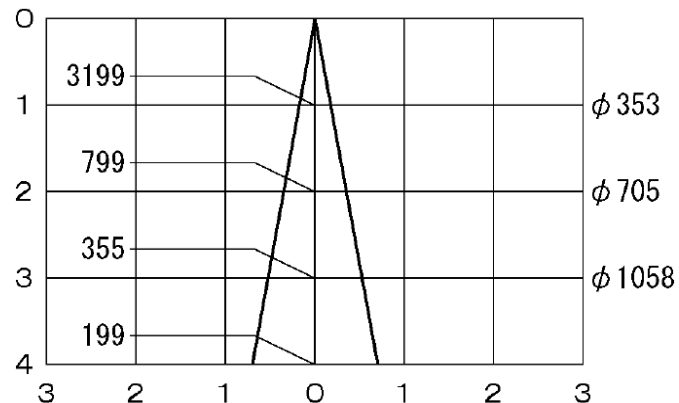
LUMINOUS INTENSITY DISTRIBUTION CURVE (cd / 1000lm)



[Height (m)]

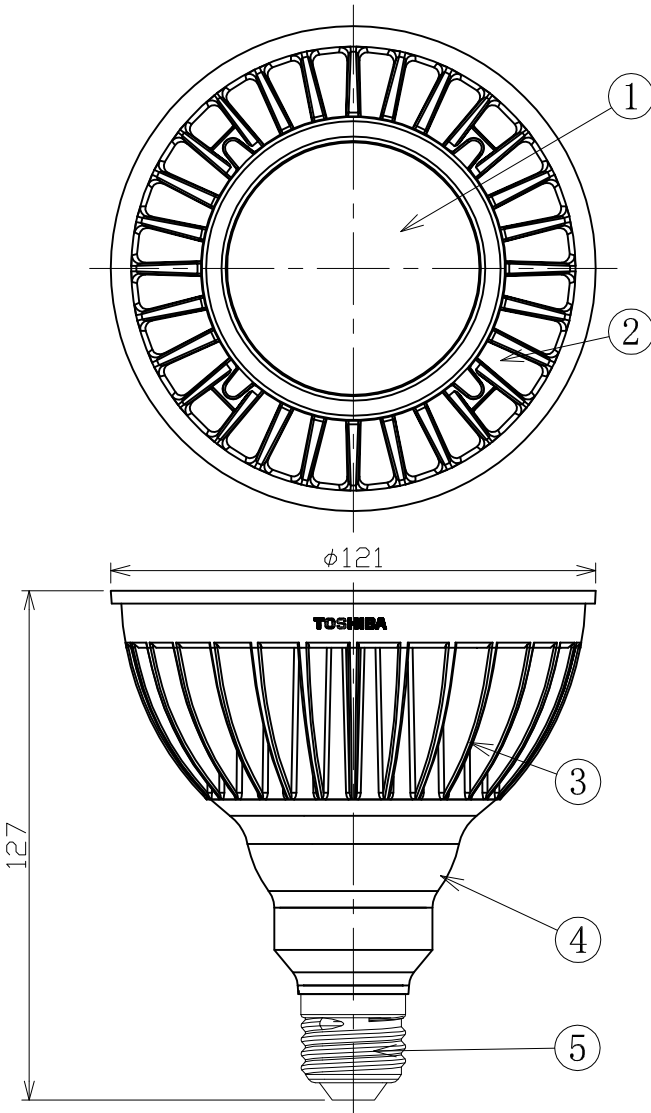
[Unit (lx)]

[Initial Value]



- * • Some dimmers may cause flickering and no dimming at lower control level.
 • When the dimmer is connected to numerous lamp, it may not be possible to dim the light to the lowest possible level.
 • When dimming numerous lamps, respective colour or the timing of light out may differ.
 • When turning on the light from 100% dimming, it may not turn on.

(2011.04.) (2011.05.) 2011.06.



General Characteristics		
1	Rated Voltage (V)	220-240
2	Rated Wattage (W)	19.7
3	Frequency (Hz)	50 / 60
4	Rated Input Current (mA)	110
5	Power Factor	0.78
6	Luminous Flux (lm)	(920)
7	Colour Description	Warm White
8	Colour Temperature (K)	2700
9	Colour Rendering Index (Ra)	80
10	Beam Angle (°)	25
11	CBCP (cd)	3,200
12	Lamp Efficacy (lm/W)	(46.7)
13	Rated Lamp Lifetime(h)	40,000
14	Lumen Maintenance	70% at the rated lamp lifetime
15	Number of Switching Cycle	over 20,000 times
16	Dimming	Dimmable
17	Overall Length (mm)	127
18	Diameter (mm)	121
19	Net Weight (g)	525
20	Cap	E27
21	Starting time (s)	<0.5
22	LED Min Lumen to claim wattage equivalence (W)	-

No.	Part	Material
①	Lens	PC
②	Cover Plate	PC
③	Body	ADC12
④	Copper	PBT
⑤	Cap	Brass

Safety Information

⚠ WARNING

- Do not cover this product with paper or cloth, or put it close to anything easy to burn, otherwise, fire may occur.
- Some dimmers may cause flickering and no dimming at lower control level.
- When the dimmer is connected to numerous lamp, it may not be possible to dim the light to the lowest possible level.
- When dimming numerous lamps, respective colour or the timing of light out may differ.
- When turning on the light from 100% dimming, it may not turn on.
- When the voltage at the power supply is distorted, flickering may occur.
- When the AC voltage fluctuates at power supply, it may result in no dimming at lower control level or no light.
- Turn off the power before attaching a lamp to a lighting device, before detaching a lamp from a lighting device, or before cleaning a lighting device, otherwise, you may have an electric shock.

⚠ CAUTION

- Do not use this product in a way of being exposed to rain or raindrops, nor at a high level of humidity, otherwise, it may be damaged.
- Do not drop a lamp, nor have it hit some object, nor put a heavy load on it, nor apply any excessive pressure.
- Do not touch a lamp with your hand or skin when it is on or soon after it is turned off because it is hot, otherwise, you may have a burn.
- Attach this product to a socket firmly, otherwise, it may drop off, or may overheat or emit smoke because of bad contact.
- Use this product in the range of 5°C-40°C (41°F-104°F).
- If a lamp does not normally light, e.g., if it flashes sporadically, turn off the power and replace the lamp.
- Do not look at LED device directly.
- Do not spray a pesticide over this lamp.

MODEL NO.

LDRC2027ME7EUD

DESCRIPTION

**TOSHIBA LED LAMP
E-CORE™**

APPROVED BY

M. Kamata

CHARGED BY

T. Tanaka

DRAWING NO.

BA2011-00067-02

~~3rd~~ ANGLE

SCALE: —

UNIT: mm

TOSHIBA

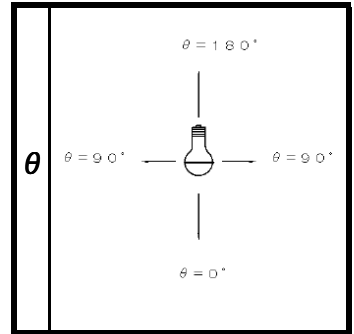
TOSHIBA LIGHTING & TECHNOLOGY CORPORATION

TOSHIBA LIGHTING EQUIPMENT ENGINEERING DATA SHEET

NAME	LED Lamp E-CORE™
MODEL NO.	LDRG2027ME7EUD
COVER	
OPTION NO.	
OPTION SPEC	

LAMP	
TYPE	LED
LUMEN OUTPUT	920 lm

BEAM ANGLE	
25°	
WATTAGE	
19.7	W



REMARKS

THE DATA IS EARLY TYPICAL VALUE.

Angle (°)	Intensity (cd/1000lm)
0°	3478
1°	3469
2°	3420
3°	3334
4°	3222
5°	3077
6°	2895
7°	2673
8°	2427
9°	2161
10°	1895
11°	1642
12°	1409
13°	1198
14°	1010
15°	840
16°	694
17°	571
18°	469
19°	388
20°	323

