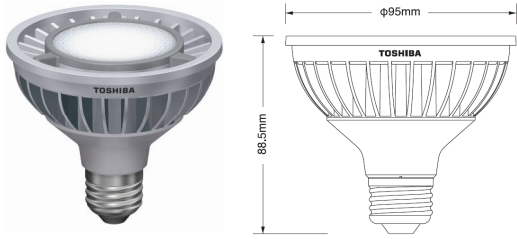


Specification sheet



Product description
Model name
Product Code
EAN code
ITF code

Toshiba LED LAMP E-CORE™
LDRC1665ME7EUD
218-50410
4974550427173
24974550427177

■ The strong point of TOSHIBA E-CORE LED Lamp

- Low energy and high efficacy.
- Mercury Free
- Instant full light
- Low Heat Radiation
- Low UV radiation

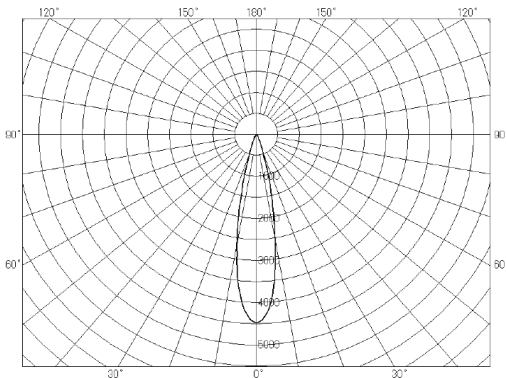
■ Technical DATA

Rated Voltage (V)	220-240
Rated Wattage (W)	16.0
Frequency (Hz)	50 / 60
Rated Input Current (mA)	90
Power Factor	0.77
Luminous Flux(lm)	(760)
Colour Description	Cool White
Colour Temperature (K)	6500
Colour Rendering Index (Ra)	65
Beam Angle (°)	23
CBCP (cd)	3400
Lamp Efficacy (lm / W)	(47.5)
Rated Lamp Lifetime (h)	40,000
Dimming	Dimmable*
Overall Length (mm)	88.5
Diameter (mm)	95
Net Weight (g)	310
Cap	E27
LED Min Lumens to claim wattage equivalence (W)	-

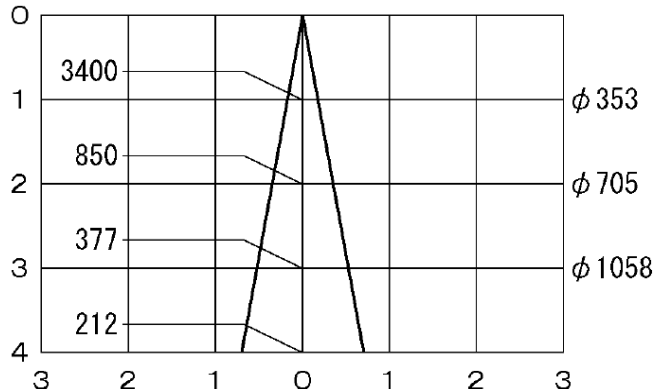
■ Packaging Details

Packaging Type(Std.Pkg.Q'ty)	Dimensions (L×W×H)	Gross Weight (g)	EAN / ITF CODE
Gift Box (1pce)	112mm×112mm×113mm	390g	4974550427173
Outer carton (6pcs)	343mm×231mm×123mm	2600g	24974550427177

LUMINOUS INTENSITY DISTRIBUTION CURVE (cd / 1000lm)

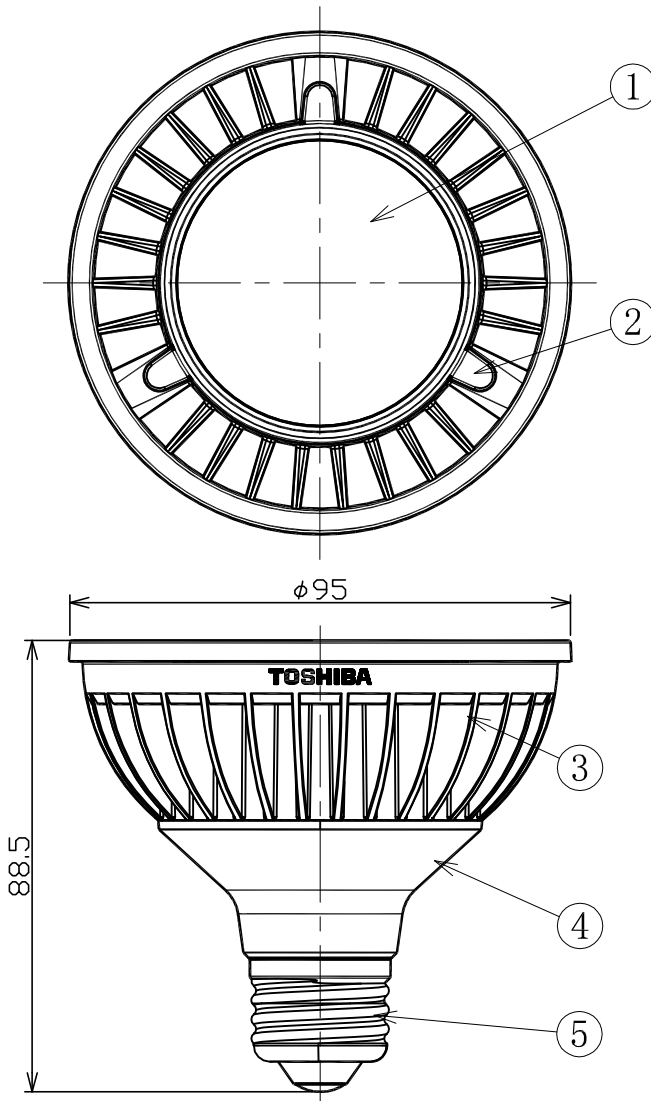


[Height (m)] [Unit (lx)] [Initial Value]



- * .Some dimmers may cause flickering and no dimming at lower control level.
 .When the dimmer is connected to numerous lamp, it may not be possible to dim the light to the lowest possible level.
 .When dimming numerous lamps, respective colour or the timing of light out may differ.
 .When turning on the light from 100% dimming, it may not turn on.

(2011.04.) 2011.05.



General Characteristics		
1	Rated Voltage (V)	220-240
2	Rated Wattage (W)	16.0
3	Frequency (Hz)	50 / 60
4	Rated Input Current (mA)	90
5	Power Factor	0.77
6	Luminous Flux (lm)	(760)
7	Colour Description	Cool White
8	Colour Temperature (K)	6500
9	Colour Rendering Index (Ra)	80
10	Beam Angle (°)	23
11	CBCP (cd)	3,400
12	Lamp Efficacy (lm/W)	(47.5)
13	Rated Lamp Lifetime(h)	40,000
14	Lumen Maintenance	70% at the rated lamp lifetime
15	Number of Switching Cycle	over 20,000 times
16	Dimming	Dimmable
17	Overall Length (mm)	88.5
18	Diameter (mm)	95
19	Net Weight (g)	310
20	Cap	E27
21	Starting time (s)	<0.5
22	LED Min Lumen to claim wattage equivalence (W)	-

No.	Part	Material
①	Lens	PC
②	Cover Plate	PC
③	Body	ADC12
④	Capper	PBT
⑤	Cap	Brass

Safety Information

⚠ WARNING

- Do not cover this product with paper or cloth, or put it close to anything easy to burn, otherwise, fire may occur.
- Some dimmers may cause flickering and no dimming at lower control level.
- When the dimmer is connected to numerous lamp, it may not be possible to dim the light to the lowest possible level.
- When dimming numerous lamps, respective colour or the timing of light out may differ.
- When turning on the light from 100% dimming, it may not turn on.
- When the voltage at the power supply is distorted, flickering may occur.
- When the AC voltage fluctuates at power supply, it may result in no dimming at lower control level or no light.
- Turn off the power before attaching a lamp to a lighting device, before detaching a lamp from a lighting device, or before cleaning a lighting device, otherwise, you may have an electric shock.

⚠ CAUTION

- Do not use this product in a way of being exposed to rain or raindrops, nor at a high level of humidity, otherwise, it may be damaged.
- Do not drop a lamp, nor have it hit some object, nor put a heavy load on it, nor apply any excessive pressure.
- Do not touch a lamp with your hand or skin when it is on or soon after it is turned off because it is hot, otherwise, you may have a burn.
- Attach this product to a socket firmly, otherwise, it may drop off, or may overheat or emit smoke because of bad contact.
- Use this product in the range of 5°C-40°C (41°F-104°F).
- If a lamp does not normally light, e.g., if it flashes sporadically, turn off the power and replace the lamp.
- Do not look at LED device directly.
- Do not spray a pesticide over this lamp.

MODEL NO.

LDRC1665ME7EUD

DESCRIPTION

**TOSHIBA LED LAMP
E-CORE™**

APPROVED BY

M. Kamata

CHARGED BY

T. Tanaka

DRAWING NO.

BA2011-00065-02

3rd ANGLE

SCALE: —

UNIT: mm

TOSHIBA

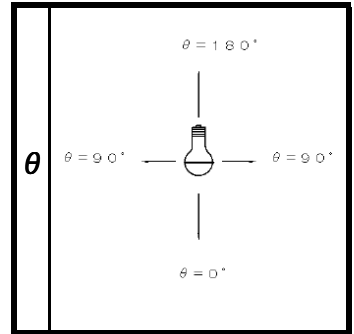
TOSHIBA LIGHTING & TECHNOLOGY CORPORATION

TOSHIBA LIGHTING EQUIPMENT ENGINEERING DATA SHEET

NAME	LED Lamp E-CORE™
MODEL NO.	LDRCL665ME7EUD
COVER	
OPTION NO.	
OPTION SPEC	

LAMP	
TYPE	LED
LUMEN OUTPUT	760 lm

BEAM ANGLE	
23°	
WATTAGE	
16.0	W



REMARKS

THE DATA IS EARLY TYPICAL VALUE.

LUMINOUS INTENSITY (cd/1000lm)			
0°	4474	25°	209
1°	4449	30°	121
2°	4386	35°	72
3°	4288	40°	50
4°	4155	45°	45
5°	3980	50°	42
6°	3758	55°	34
7°	3495	60°	30
8°	3197	65°	26
9°	2874	70°	20
10°	2546	75°	12
11°	2233	80°	5
12°	1940	85°	0
13°	1674	90°	0
14°	1432		
15°	1209		
16°	1007		
17°	833		
18°	629		
19°	528		
20°	445		

