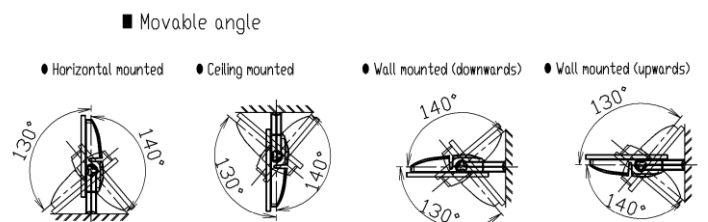
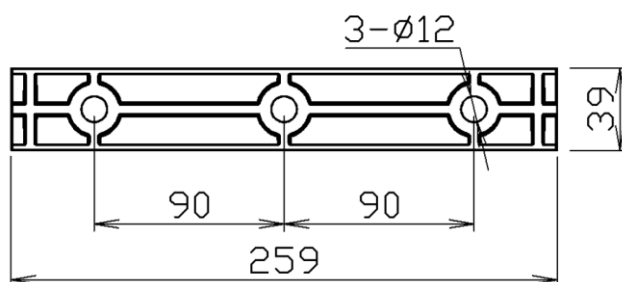
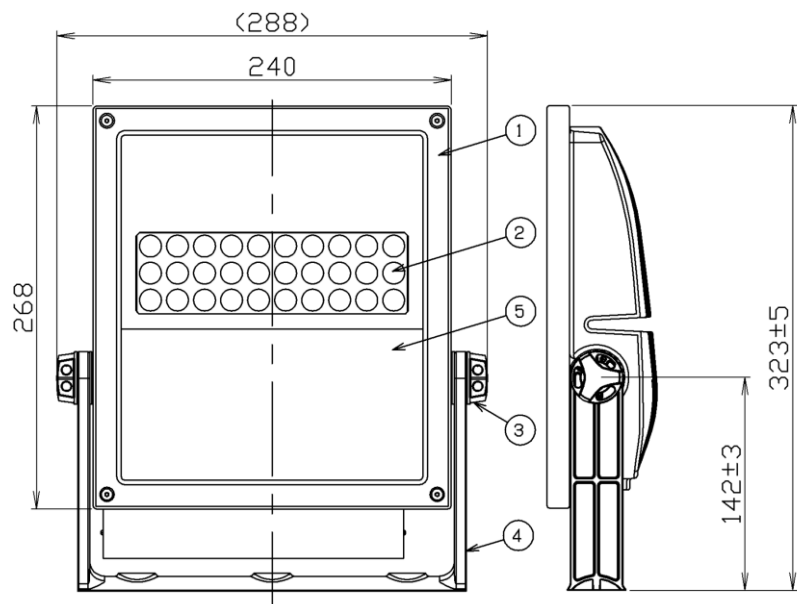


A. TECHNICAL INFORMATION

1. Common features

Body	Die Cast Aluminium
Finishing	Silver
Lighting outlet	1
Type of installation	Surface mounting
Net weight	FL3000 = 3400 g / FL5500 = 3500g
Electrical class	Class II
Life (L70)	60'000 hours
IP/IK rating	IP65 / IK07
LED module	Non-replaceable - Integrated
Ta	30°C
Approval Mark	CE / ENEC
Ambient Temp. Range	-20°C / +35°C
Projected Area	0.068m2



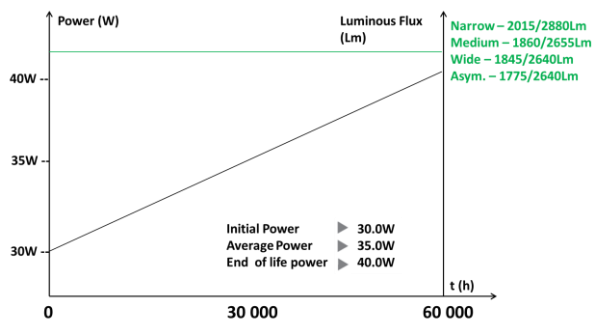
2. General Lighting

a. Electrical features / Control

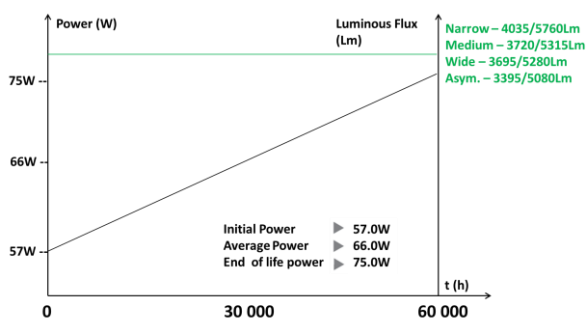
	LED FLOODLIGHT 3000	LED FLOODLIGHT 5500
Model Name	LEDEUF00019I30 / LEDEUF00019I40 / LEDEUF00019I50 / LEDEUF00020I30 / LEDEUF00020I40 / LEDEUF00020I50 / LEDEUF00021I30 / LEDEUF00021I40 / LEDEUF00021I50 / LEDEUF00022I30 / LEDEUF00022I40 / LEDEUF00022I50	LEDEUF00023I30 / LEDEUF00023I40 / LEDEUF00023I50 / LEDEUF00024I30 / LEDEUF00024I40 / LEDEUF00024I50 / LEDEUF00025I30 / LEDEUF00025I40 / LEDEUF00025I50 / LEDEUF00026I30 / LEDEUF00026I40 / LEDEUF00026I50
Rated Voltage (V)	220-240	
Rated Wattage (W)	Initial = 30W Av. = 35W L70 = 40W	Initial = 57W Av. = 66W L70 = 75W
Frequency (Hz)	50/60	
Rated Input Current (mA)	182	342
Power Factor	> 0.9	
Dimming / CLO	No / Constant Light Output	
Connection	3 * (0,75 - 2,5) mm ²	

CLO – Constant Light output Technology increases the wattage of the product over time to overcome Lumen Maintenance drop. As a result the rated wattage stated is the wattage at end of life at 60'000 hours (L70). For energy calculations, please use average wattage over life.

Flood Light 3000



Flood Light 5500



b. Optical features

LED FLOODLIGHT 3000

Narrow - 11°

Model Name	LEDEUF00019130	LEDEUF00019140	LEDEUF00019150
Luminous Flux (lm)	2,015	2,015	2,880
Colour Temperature (K)	3,000	4,000	5,000
Colour Rendering Index (Ra)	80	80	70

Middle - 25°

LEDEUF00020130	LEDEUF00020140	LEDEUF00020150
1,860	1,860	2,655
3,000	4,000	5,000
80	80	70

Wide - 43°

Model Name	LEDEUF00021130	LEDEUF00021140	LEDEUF00021150
Luminous Flux (lm)	1,845	1,845	2,640
Colour Temperature (K)	3,000	4,000	5,000
Colour Rendering Index (Ra)	80	80	70

Asymmetry - 58° x 127°

LEDEUF00022130	LEDEUF00022140	LEDEUF00022150
1,775	1,775	2,640
3,000	4,000	5,000
80	80	70

LED FLOODLIGHT 5500

Narrow - 11°

Model Name	LEDEUF00023130	LEDEUF00023140	LEDEUF00023150
Luminous Flux (lm)	4,035	4,035	5,760
Colour Temperature (K)	3,000	4,000	5,000
Colour Rendering Index (Ra)	80	80	70

Middle - 25°

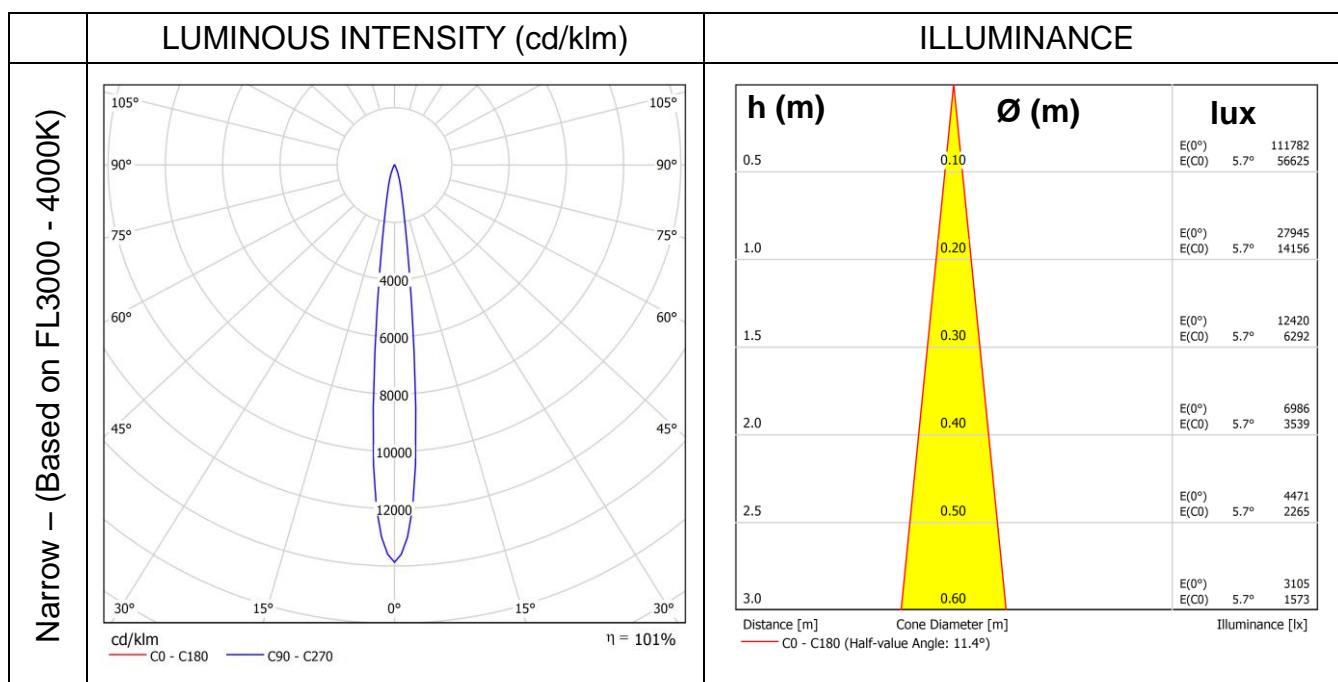
LEDEUF00024130	LEDEUF00024140	LEDEUF00024150
3,720	3,720	5,315
3,000	4,000	5,000
80	80	70

Wide - 43°

Model Name	LEDEUF00025130	LEDEUF00025140	LEDEUF00025150
Luminous Flux (lm)	3,695	3,695	5,280
Colour Temperature (K)	3,000	4,000	5,000
Colour Rendering Index (Ra)	80	80	70

Asymmetry - 58° x 127°

LEDEUF00026130	LEDEUF00026140	LEDEUF00026150
3,395	3,395	5,080
3,000	4,000	5,000
80	80	70



	Medium – (Based on FL3000 - 4000k)	Wide – (Based on FL3000 - 4000k)	Asymmetric – (Based on FL3000 - 4000K)																																																															
	<p>cd/klm — C0 - C180 — C90 - C270</p> <p>$\eta = 101\%$</p>	<p>cd/klm — C0 - C180 — C90 - C270</p> <p>$\eta = 100\%$</p>	<p>cd/klm — C0 - C180 — C90 - C270</p> <p>$\eta = 100\%$</p>																																																															
	<table border="1"> <thead> <tr> <th>h (m)</th> <th>\varnothing (m)</th> <th>lux</th> </tr> </thead> <tbody> <tr> <td>0.5</td> <td>0.22</td> <td>E(0°) 26380 E(C0) 12.3° 12393</td> </tr> <tr> <td>1.0</td> <td>0.44</td> <td>E(0°) 6595 E(C0) 12.3° 3098</td> </tr> <tr> <td>1.5</td> <td>0.65</td> <td>E(0°) 2931 E(C0) 12.3° 1377</td> </tr> <tr> <td>2.0</td> <td>0.87</td> <td>E(0°) 1649 E(C0) 12.3° 775</td> </tr> <tr> <td>2.5</td> <td>1.09</td> <td>E(0°) 1055 E(C0) 12.3° 496</td> </tr> <tr> <td>3.0</td> <td>1.31</td> <td>E(0°) 733 E(C0) 12.3° 344</td> </tr> </tbody> </table> <p>Distance [m] Cone Diameter [m] Illuminance [lx] — C0 - C180 (Half-value Angle: 24.6°)</p>	h (m)	\varnothing (m)	lux	0.5	0.22	E(0°) 26380 E(C0) 12.3° 12393	1.0	0.44	E(0°) 6595 E(C0) 12.3° 3098	1.5	0.65	E(0°) 2931 E(C0) 12.3° 1377	2.0	0.87	E(0°) 1649 E(C0) 12.3° 775	2.5	1.09	E(0°) 1055 E(C0) 12.3° 496	3.0	1.31	E(0°) 733 E(C0) 12.3° 344	<table border="1"> <thead> <tr> <th>h (m)</th> <th>\varnothing (m)</th> <th>lux</th> </tr> </thead> <tbody> <tr> <td>0.5</td> <td>0.39</td> <td>E(0°) 9214 E(C0) 21.4° 3733</td> </tr> <tr> <td>1.0</td> <td>0.78</td> <td>E(0°) 2304 E(C0) 21.4° 933</td> </tr> <tr> <td>1.5</td> <td>1.18</td> <td>E(0°) 1024 E(C0) 21.4° 415</td> </tr> <tr> <td>2.0</td> <td>1.57</td> <td>E(0°) 576 E(C0) 21.4° 233</td> </tr> <tr> <td>2.5</td> <td>1.96</td> <td>E(0°) 369 E(C0) 21.4° 149</td> </tr> <tr> <td>3.0</td> <td>2.35</td> <td>E(0°) 256 E(C0) 21.4° 104</td> </tr> </tbody> </table> <p>Distance [m] Cone Diameter [m] Illuminance [lx] — C0 - C180 (Half-value Angle: 42.8°)</p>	h (m)	\varnothing (m)	lux	0.5	0.39	E(0°) 9214 E(C0) 21.4° 3733	1.0	0.78	E(0°) 2304 E(C0) 21.4° 933	1.5	1.18	E(0°) 1024 E(C0) 21.4° 415	2.0	1.57	E(0°) 576 E(C0) 21.4° 233	2.5	1.96	E(0°) 369 E(C0) 21.4° 149	3.0	2.35	E(0°) 256 E(C0) 21.4° 104	<table border="1"> <thead> <tr> <th>h (m)</th> <th>\varnothing (m)</th> <th>lux</th> </tr> </thead> <tbody> <tr> <td>0.5</td> <td>2.01 0.56</td> <td>E(0°) 3176 E(C90) 63.5° 210 E(C0) 29.1° 1060</td> </tr> <tr> <td>1.0</td> <td>4.01 1.11</td> <td>E(0°) 794 E(C90) 63.5° 52 E(C0) 29.1° 265</td> </tr> <tr> <td>1.5</td> <td>6.02 1.67</td> <td>E(0°) 353 E(C90) 63.5° 23 E(C0) 29.1° 118</td> </tr> <tr> <td>2.0</td> <td>8.02 2.23</td> <td>E(0°) 199 E(C90) 63.5° 13 E(C0) 29.1° 66</td> </tr> <tr> <td>2.5</td> <td>10.03 2.78</td> <td>E(0°) 127 E(C90) 63.5° 8 E(C0) 29.1° 42</td> </tr> <tr> <td>3.0</td> <td>12.03 3.34</td> <td>E(0°) 88 E(C90) 63.5° 6 E(C0) 29.1° 29</td> </tr> </tbody> </table> <p>Distance [m] Cone Diameter [m] Illuminance [lx] — C0 - C180 (Half-value Angle: 58.2°) — C90 - C270 (Half-value Angle: 127.0°)</p>	h (m)	\varnothing (m)	lux	0.5	2.01 0.56	E(0°) 3176 E(C90) 63.5° 210 E(C0) 29.1° 1060	1.0	4.01 1.11	E(0°) 794 E(C90) 63.5° 52 E(C0) 29.1° 265	1.5	6.02 1.67	E(0°) 353 E(C90) 63.5° 23 E(C0) 29.1° 118	2.0	8.02 2.23	E(0°) 199 E(C90) 63.5° 13 E(C0) 29.1° 66	2.5	10.03 2.78	E(0°) 127 E(C90) 63.5° 8 E(C0) 29.1° 42	3.0	12.03 3.34	E(0°) 88 E(C90) 63.5° 6 E(C0) 29.1° 29
h (m)	\varnothing (m)	lux																																																																
0.5	0.22	E(0°) 26380 E(C0) 12.3° 12393																																																																
1.0	0.44	E(0°) 6595 E(C0) 12.3° 3098																																																																
1.5	0.65	E(0°) 2931 E(C0) 12.3° 1377																																																																
2.0	0.87	E(0°) 1649 E(C0) 12.3° 775																																																																
2.5	1.09	E(0°) 1055 E(C0) 12.3° 496																																																																
3.0	1.31	E(0°) 733 E(C0) 12.3° 344																																																																
h (m)	\varnothing (m)	lux																																																																
0.5	0.39	E(0°) 9214 E(C0) 21.4° 3733																																																																
1.0	0.78	E(0°) 2304 E(C0) 21.4° 933																																																																
1.5	1.18	E(0°) 1024 E(C0) 21.4° 415																																																																
2.0	1.57	E(0°) 576 E(C0) 21.4° 233																																																																
2.5	1.96	E(0°) 369 E(C0) 21.4° 149																																																																
3.0	2.35	E(0°) 256 E(C0) 21.4° 104																																																																
h (m)	\varnothing (m)	lux																																																																
0.5	2.01 0.56	E(0°) 3176 E(C90) 63.5° 210 E(C0) 29.1° 1060																																																																
1.0	4.01 1.11	E(0°) 794 E(C90) 63.5° 52 E(C0) 29.1° 265																																																																
1.5	6.02 1.67	E(0°) 353 E(C90) 63.5° 23 E(C0) 29.1° 118																																																																
2.0	8.02 2.23	E(0°) 199 E(C90) 63.5° 13 E(C0) 29.1° 66																																																																
2.5	10.03 2.78	E(0°) 127 E(C90) 63.5° 8 E(C0) 29.1° 42																																																																
3.0	12.03 3.34	E(0°) 88 E(C90) 63.5° 6 E(C0) 29.1° 29																																																																

LOGISTICS

1. Logistic data

Product code	EAN Code	Description	Size of Packaging (L * H * W) (mm)	Gross weight (g)
LEDEF00019130	4974550446136	E-CORE Floodlight 3000 - 3000K Narrow	340 x 310 x 105	4520
LEDEF00019140	4974550446143	E-CORE Floodlight 3000 - 4000K Narrow	340 x 310 x 105	4520
LEDEF00019150	4974550446150	E-CORE Floodlight 3000 - 5000K Narrow	340 x 310 x 105	4520
LEDEF00020130	4974550446167	E-CORE Floodlight 3000 - 3000K Medium	340 x 310 x 105	4520
LEDEF00020140	4974550446174	E-CORE Floodlight 3000 - 4000K Medium	340 x 310 x 105	4520
LEDEF00020150	4974550446181	E-CORE Floodlight 3000 - 5000K Medium	340 x 310 x 105	4520
LEDEF00021130	4974550446198	E-CORE Floodlight 3000 - 3000K Wide	340 x 310 x 105	4520
LEDEF00021140	4974550446204	E-CORE Floodlight 3000 - 4000K Wide	340 x 310 x 105	4520
LEDEF00021150	4974550446211	E-CORE Floodlight 3000 - 5000K Wide	340 x 310 x 105	4520
LEDEF00022130	4974550446228	E-CORE Floodlight 3000 - 3000K Asymmetric	340 x 310 x 105	4520
LEDEF00022140	4974550446235	E-CORE Floodlight 3000 - 4000K Asymmetric	340 x 310 x 105	4520
LEDEF00022150	4974550446242	E-CORE Floodlight 3000 - 5000K Asymmetric	340 x 310 x 105	4520
LEDEF00023130	4974550446259	E-CORE Floodlight 5500 - 3000K Narrow	340 x 310 x 105	4620
LEDEF00023140	4974550446266	E-CORE Floodlight 5500 - 4000K Narrow	340 x 310 x 105	4620
LEDEF00023150	4974550446273	E-CORE Floodlight 5500 - 5000K Narrow	340 x 310 x 105	4620
LEDEF00024130	4974550446280	E-CORE Floodlight 5500 - 3000K Medium	340 x 310 x 105	4620
LEDEF00024140	4974550446297	E-CORE Floodlight 5500 - 4000K Medium	340 x 310 x 105	4620
LEDEF00024150	4974550446303	E-CORE Floodlight 5500 - 5000K Medium	340 x 310 x 105	4620
LEDEF00025130	4974550446310	E-CORE Floodlight 5500 - 3000K Wide	340 x 310 x 105	4620
LEDEF00025140	4974550446327	E-CORE Floodlight 5500 - 4000K Wide	340 x 310 x 105	4620
LEDEF00025150	4974550446334	E-CORE Floodlight 5500 - 5000K Wide	340 x 310 x 105	4620
LEDEF00026130	4974550446341	E-CORE Floodlight 5500 - 3000K Asymmetric	340 x 310 x 105	4620
LEDEF00026140	4974550446358	E-CORE Floodlight 5500 - 4000K Asymmetric	340 x 310 x 105	4620
LEDEF00026150	4974550446365	E-CORE Floodlight 5500 - 5000K Asymmetric	340 x 310 x 105	4620

2. Packaging content

- LED fixture
- Instruction sheet

B. IMPORTANT NOTES

None