

Specification sheet



Product description
Model name
Product Code
EAN code
ITF code

Toshiba LED LAMP E-CORE
LDAC0640E7EU
218-50441
4974550433914
14974550433911

■ The strong point of TOSHIBA E-CORE LED Lamp

- Low energy and high efficacy.
- Mercury Free
- Instant full light
- Low Heat Radiation
- Low UV radiation

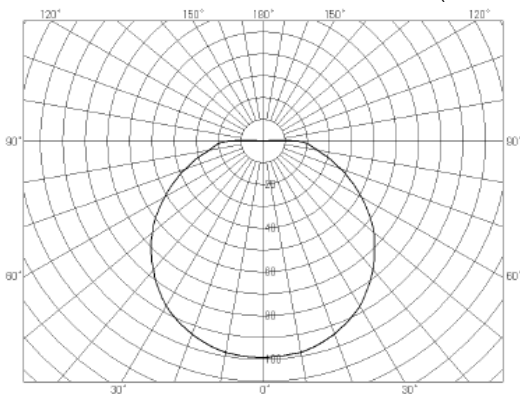
■ Technical DATA

Rated Voltage (V)	220-240
Rated Wattage (W)	5.5
Frequency (Hz)	50 / 60
Rated Input Current (mA)	43
Power Factor	0.56
Luminous Flux(lm)	340
Colour Description	Neutral White
Colour Temperature (K)	4000
Colour Rendering Index (Ra)	80
Beam Angle (°)	-
CBCP (cd)	-
Lamp Efficacy (lm / W)	61.8
Rated Lamp Lifetime (h)	40,000
Lumen Maintenance	70% at the rated lamp lifetime
Number of Switching Cycle	over 20000 times
Dimming	Not dimmable
Overall Length (mm)	112
Diameter (mm)	60
Net Weight (g)	75
Cap	E27
Starting Time (s)	<0.5
LED Min Lumens to claim wattage equivalence (W)	30

■ Packaging Details

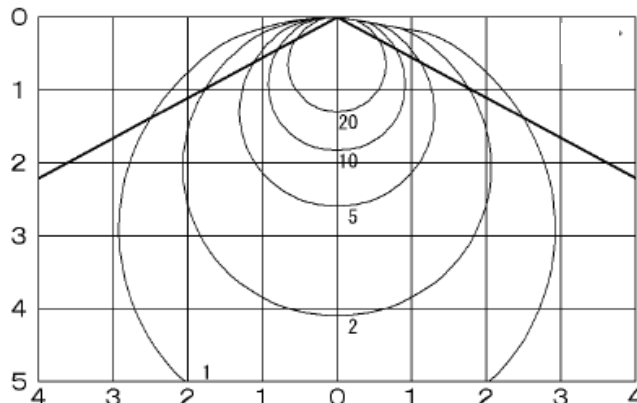
Packaging Type(Std.Pkg.Q'ty)	Dimensions (L×W×H)	Gross Weight (g)	EAN / ITF CODE
Gift Box (1pce)	70mm×70mm×140mm	125g	4974550433914
Outer carton (10pcs)	414mm×186mm×166mm	1720g	14974550433911

LUMINOUS INTENSITY DISTRIBUTION CURVE (cd / 1000lm)

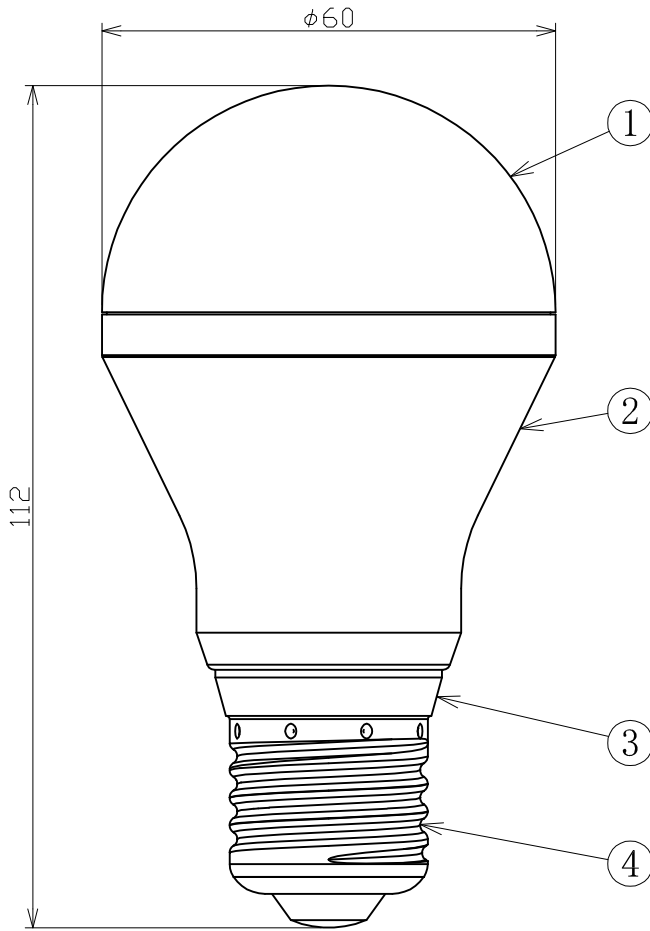


[Height (m)]

[Unit:lx]



Specifications are subject to be changed.



General Characteristics		
1	Rated Voltage (V)	220-240
2	Rated Wattage (W)	5.5
3	Frequency (Hz)	50 / 60
4	Rated Input Current (mA)	43
5	Power Factor	0.55
6	Luminous Flux	340
7	Colour Description	Cool White
8	Colour Temperature (K)	4000
9	Colour Rendering Index (Ra)	80
10	Beam Angle	-
11	Lamp Finish	Frost
12	Lamp Efficacy (lm/W)	62
13	Rated Lamp Lifetime (h)	40,000
14	Lumen Maintenance	70% at the rated lamp lifetime
15	Number of Switching Cycle	over 20,000 times
16	Dimming	Not dimmable
17	Overall Length (mm)	112
18	Diameter (mm)	60
19	Net Weight (g)	75
20	Cap	E27/27
21	Starting time (s)	<0.5
22	LED Min Lumen to claim wattage equivalence (W)	30

No.	Part	Material
①	Globe	PC
②	Body	A1060
③	Capper	PBT
④	Cap	Brassr

Safety Information	
⚠ WARNING	
<ul style="list-style-type: none"> • Do not cover this product with paper or cloth, or put it close to anything easy to burn, otherwise, fire may occur. • Do not use with dimmers, timers or other control devices. • Turn off the power before attaching a lamp to a lighting device, before detaching a lamp from a lighting device, or before cleaning a lighting device, otherwise, you may have an electric shock. 	
⚠ CAUTION	
<ul style="list-style-type: none"> • Do not use this product in a way of being exposed to rain or raindrops, nor at a high level of humidity, otherwise, it may be damaged. • Do not drop a lamp, nor have it hit some object, nor put a heavy load on it, nor apply any excessive pressure. • Do not touch a lamp with your hand or skin when it is on or soon after it is turned off because it is hot, otherwise, you may have a burn. • Attach this product to a socket firmly, otherwise, it may drop off, or may overheat or emit smoke because of bad contact. • Use this product in the range of 5°C-40°C (41°F-104°F). • If a lamp does not normally light, e.g., if it flashes sporadically, turn off the power and replace the lamp. • Do not look at LED device directly. • Do not spray a pesticide over this lamp. 	

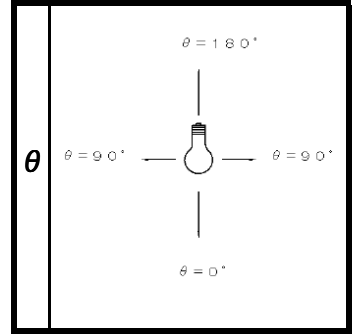
MODEL NO.		DESCRIPTION	
LDAC0640E7EU		TOSHIBA LED LAMP E-CORE	
APPROVED BY	CHARGED BY	DRAWING NO.	—
<i>M. Kamata</i>	<i>K. Ogawa</i>		
3rd ANGLE	SCALE: —	UNIT: mm	BA2011-00114-01

TOSHIBA LIGHTING EQUIPMENT ENGINEERING DATA SHEET

NAME	LED Lamp "E-CORE™"
MODEL NO.	LDAC0640E7EU
COVER	
OPTION NO.	
OPTION SPEC	

EFFICIENCY		
F		%
F		%
F		100 %
LUMINAIRE LUMEN OUTPUT		340 lm

SHRmax		
A-A (SPACING CRITERIA ACROSS)	1.3	H
B-B (SPACING CRITERIA ALONG)	1.3	H
WATTAGE		
		5.5 W



REMARKS

THE DATA IS EARLY TYPICAL VALUE.

LUMINOUS INTENSITY (cd/1000lm)			
θ	A-A	B-B	C-C
0°	99		
10°	98		
20°	94		
30°	87		
40°	77		
50°	65		
60°	51		
70°	37		
80°	25		
90°	16		
100°	0		
110°	0		
120°	0		
130°	0		
140°	0		
150°	0		
160°	0		
170°	0		
180°	0		

REF-LEC-TANCE (%)	CEILING	80						70						50						30		20		0	
	WALL	70		50		30		70		50		30		50		30		30		10		0			
	FLOOR	30	10	30	10	30	10	30	10	30	10	30	10	30	10	30	10	30	10	30	10	10	0		
ROOM INDEX	UTILIZATION FACTOR (× 0.01)																								
0.60	19	18	14	13	11	11	19	17	14	13	11	11	13	13	11	10	10	10	8	8					
0.80	23	21	18	17	14	14	22	20	17	16	14	14	17	16	14	13	13	13	11	10					
1.00	26	23	21	19	17	16	25	23	20	19	17	16	19	18	17	16	16	16	14	13					
1.25	29	25	24	22	20	19	28	25	23	21	20	19	22	21	19	18	18	18	16	15					
1.50	31	27	26	24	22	21	29	26	25	23	22	21	24	22	21	20	20	20	18	17					
2.00	34	29	29	26	26	24	32	28	28	26	25	23	27	25	24	23	23	22	21	20					
2.50	35	30	32	28	28	26	34	30	31	27	28	25	29	26	26	25	25	24	22	22					
3.00	37	31	33	29	30	27	35	31	32	29	30	27	30	28	28	26	26	25	24	23					
4.00	38	33	35	31	33	29	37	32	34	30	32	29	32	29	30	28	28	27	26	25					
5.00	39	33	37	32	35	30	38	33	36	31	34	30	33	30	32	29	30	28	27	26					
10.00	42	35	40	34	39	33	40	34	39	33	37	33	36	32	35	32	33	31	30	29					

