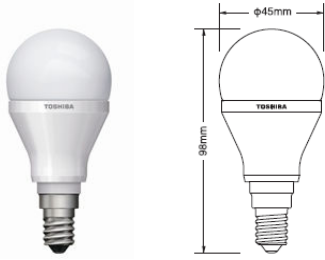


Specification sheet



Product description
Model name
Product Code
EAN code
ITF code

Toshiba LED LAMP E-CORE
LDGC0627FE4EUD
218-50401
4974550426695
14974550426692

■ The strong point of TOSHIBA E-CORE LED Lamp

- Low energy and high efficacy.
- Mercury Free
- Instant illumination
- Low Heat Radiation
- Low UV radiation

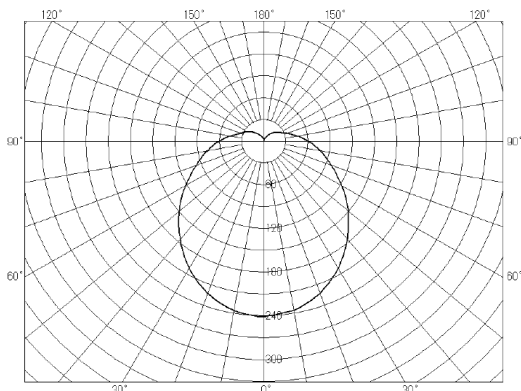
■ Technical DATA

Rated Voltage (V)	220-240
Rated Wattage (W)	6
Frequency (Hz)	50 / 60
Rated Input Current (mA)	40
Power Factor	0.65
Luminous Flux(lm)	250
Colour Description	Warm White
Colour Temperature (K)	2700
Colour Rendering Index (Ra)	80
Beam Angle (°)	-
Lamp Finish	Frost
Lamp Efficacy (lm / W)	41.7
Rated Lamp Lifetime (h)	20,000
Lumen Maintenance	70% at the rated lamp lifetime
Number of Switching Cycle	over 20000 times
Dimming	Dimmable
Overall Length (mm)	98
Diameter (mm)	45
Net Weight (g)	84
Cap	E14
Starting Time (s)	<0.5
LED Min Lumens to claim wattage equivalence (W)	25

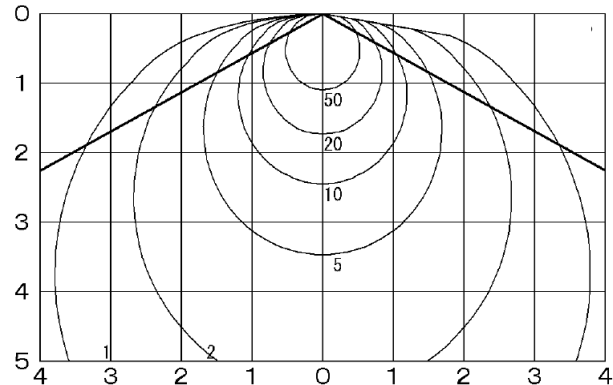
■ Packaging Details

Packaging Type(Std.Pkg.Q'ty)	Dimensions (L×W×H)	Gross Weight (g)	EAN / ITF CODE
Gift Box (1pce)	61mm×61mm×128mm	127g	4974550426695
Outer carton (10pcs)	395mm×193mm×162mm	1650g	14974550426692

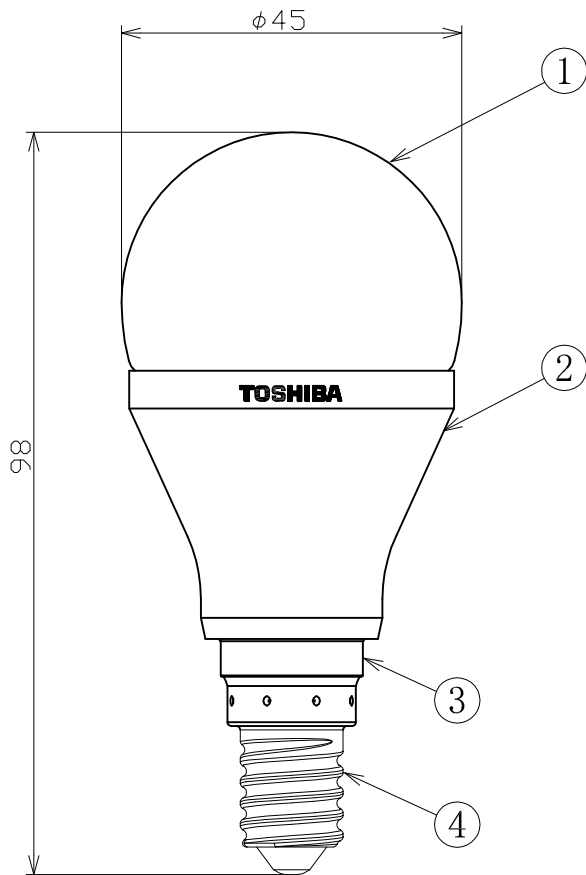
LUMINOUS INTENSITY DISTRIBUTION CURVE (cd / 1000lm)



[Height (m)] [Unit (lx)]



- * .Some dimmers may cause flickering and no dimming at lower control level.
 .When the dimmer is connected to numerous lamp, it may not be possible to dim the light to the lowest possible level.
 .When dimming numerous lamps, respective colour or the timing of light out may differ.
 .When turning on the light from 100% dimming, it may not turn on.



General Characteristics		
1	Rated Voltage (V)	220-240
2	Rated Wattage (W)	6.0
3	Frequency (Hz)	50 / 60
4	Rated Input Current (mA)	40
5	Power Factor	0.65
6	Luminous Flux (lm)	250
7	Colour Description	Warm White
8	Colour Temperature (K)	2700
9	Colour Rendering Index (Ra)	80
10	Beam Angle (°)	-
11	Lamp Finish	Frost
12	Lamp Efficacy (lm/W)	41.7
13	Rated Lamp Lifetime(h)	20,000
14	Lumen Maintenance	70% at the rated lamp lifetime
15	Number of Switching Cycle	over 20,000 times
16	Dimming	Dimmable
17	Overall Length (mm)	98
18	Diameter (mm)	45
19	Net Weight (g)	84
20	Cap	E14
21	Starting time (s)	<0.5
22	LED Min Lumen to claim wattage equivalence (W)	25

No.	Part	Material
①	Globe	Glass
②	Body	ADC12
③	Capper	PBT
④	Cap	Brassr

Safety Information

⚠ WARNING

- Do not cover this product with paper or cloth, or put it close to anything easy to burn, otherwise, fire may occur.
- Some dimmers may cause flickering and no dimming at lower control level.
- When the dimmer is connected to numerous lamp, it may not be possible to dim the light to the lowest possible level.
- When dimming numerous lamps, respective colour or the timing of light out may differ.
- When turning on the light from 100% dimming, it may not turn on.
- When the voltage at the power supply is distorted, flickering may occur.
- When the AC voltage fluctuates at power supply, it may result in no dimming at lower control level or no light.
- Turn off the power before attaching a lamp to a lighting device, before detaching a lamp from a lighting device, or before cleaning a lighting device, otherwise, you may have an electric shock.

⚠ CAUTION

- Do not use this product in a way of being exposed to rain or raindrops, nor at a high level of humidity, otherwise, it may be damaged.
- Do not drop a lamp, nor have it hit some object, nor put a heavy load on it, nor apply any excessive pressure.
- Do not touch a lamp with your hand or skin when it is on or soon after it is turned off because it is hot, otherwise, you may have a burn.
- Attach this product to a socket firmly, otherwise, it may drop off, or may overheat or emit smoke because of bad contact.
- Use this product in the range of 5°C-40°C (41°F-104°F).
- If a lamp does not normally light, e.g., if it flashes sporadically, turn off the power and replace the lamp.
- Do not look at LED device directly.
- Do not spray a pesticide over this lamp.

MODEL NO.

LDGC0627FE4EUD

DESCRIPTION

**TOSHIBA LED LAMP
E-CORE**

APPROVED BY

M. Kamata

CHARGED BY

K. Ogawa

DRAWING NO.

BA2011-00076-01

3rd ANGLE

SCALE: —

UNIT: mm

TOSHIBA

TOSHIBA LIGHTING & TECHNOLOGY CORPORATION

