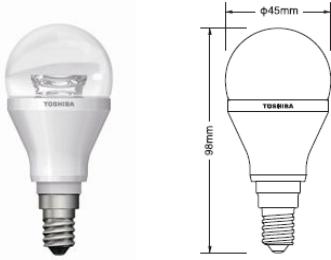


Specification sheet



Product description
Model name
Product Code
EAN code
ITF code

Toshiba LED LAMP E-CORE
LDGC0627CE4EUD
218-50400
4974550426664
14974550426661

■ The strong point of TOSHIBA E-CORE LED Lamp

- Low energy and high efficacy.
- Mercury Free
- Instant illumination
- Low Heat Radiation
- Low UV radiation

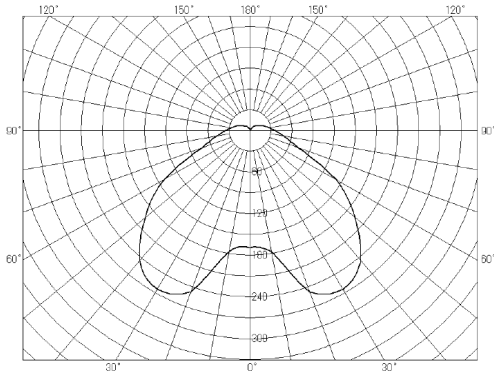
■ Technical DATA

Rated Voltage (V)	220-240
Rated Wattage (W)	6
Frequency (Hz)	50 / 60
Rated Input Current (mA)	40
Power Factor	0.65
Luminous Flux(lm)	250
Colour Description	Warm White
Colour Temperature (K)	2700
Colour Rendering Index (Ra)	80
Beam Angle (°)	-
Lamp Finish	Clear
Lamp Efficacy (lm / W)	41.7
Rated Lamp Lifetime (h)	20,000
Lumen Maintenance	70% at the rated lamp lifetime
Number of Switching Cycle	over 20000 times
Dimming	Dimmable
Overall Length (mm)	98
Diameter (mm)	45
Net Weight (g)	84
Cap	E14
Starting Time (s)	<0.5
LED Min Lumens to claim wattage equivalence (W)	25

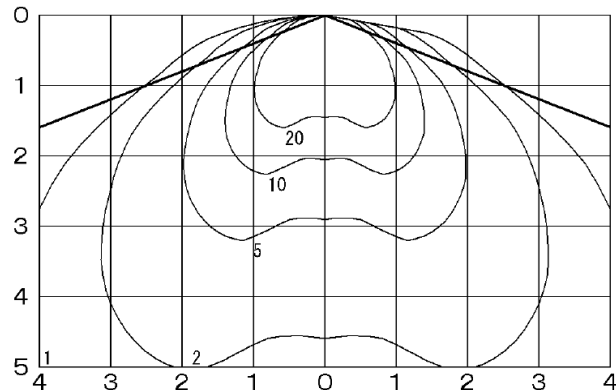
■ Packaging Details

Packaging Type(Std.Pkg.Q'ty)	Dimensions (L×W×H)	Gross Weight (g)	EAN / ITF CODE
Gift Box (1pce)	61mm×61mm×128mm	127g	4974550426664
Outer carton (10pcs)	395mm×193mm×162mm	1650g	14974550426661

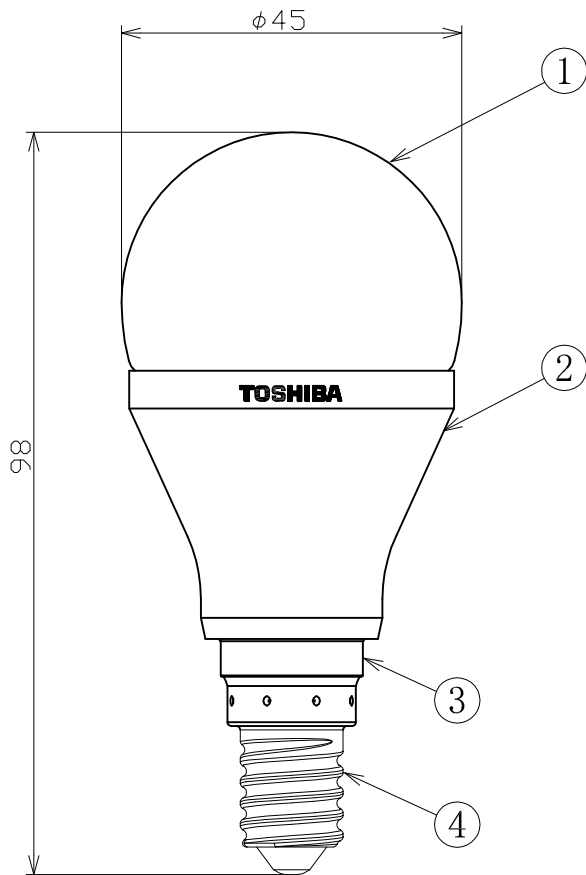
LUMINOUS INTENSITY DISTRIBUTION CURVE (cd / 1000lm)



[Height (m)] [Unit (lx)]



- * • Some dimmers may cause flickering and no dimming at lower control level.
 • When the dimmer is connected to numerous lamp, it may not be possible to dim the light to the lowest possible level.
 • When dimming numerous lamps, respective colour or the timing of light out may differ.
 • When turning on the light from 100% dimming, it may not turn on.



General Characteristics		
1	Rated Voltage (V)	220-240
2	Rated Wattage (W)	6.0
3	Frequency (Hz)	50 / 60
4	Rated Input Current (mA)	40
5	Power Factor	0.65
6	Luminous Flux (lm)	250
7	Colour Description	Warm White
8	Colour Temperature (K)	2700
9	Colour Rendering Index (Ra)	80
10	Beam Angle (°)	-
11	Lamp Finish	Clear
12	Lamp Efficacy (lm/W)	41.7
13	Rated Lamp Lifetime(h)	20,000
14	Lumen Maintenance	70% at the rated lamp lifetime
15	Number of Switching Cycle	over 20,000 times
16	Dimming	Dimmable
17	Overall Length (mm)	98
18	Diameter (mm)	45
19	Net Weight (g)	84
20	Cap	E14
21	Starting time (s)	<0.5
22	LED Min Lumen to claim wattage equivalence (W)	25

No.	Part	Material
①	Globe	Glass
②	Body	ADC12
③	Capper	PBT
④	Cap	Brassr

Safety Information

⚠ WARNING

- Do not cover this product with paper or cloth, or put it close to anything easy to burn, otherwise, fire may occur.
- Some dimmers may cause flickering and no dimming at lower control level.
- When the dimmer is connected to numerous lamp, it may not be possible to dim the light to the lowest possible level.
- When dimming numerous lamps, respective colour or the timing of light out may differ.
- When turning on the light from 100% dimming, it may not turn on.
- When the voltage at the power supply is distorted, flickering may occur.
- When the AC voltage fluctuates at power supply, it may result in no dimming at lower control level or no light.
- Turn off the power before attaching a lamp to a lighting device, before detaching a lamp from a lighting device, or before cleaning a lighting device, otherwise, you may have an electric shock.

⚠ CAUTION

- Do not use this product in a way of being exposed to rain or raindrops, nor at a high level of humidity, otherwise, it may be damaged.
- Do not drop a lamp, nor have it hit some object, nor put a heavy load on it, nor apply any excessive pressure.
- Do not touch a lamp with your hand or skin when it is on or soon after it is turned off because it is hot, otherwise, you may have a burn.
- Attach this product to a socket firmly, otherwise, it may drop off, or may overheat or emit smoke because of bad contact.
- Use this product in the range of 5°C-40°C (41°F-104°F).
- If a lamp does not normally light, e.g., if it flashes sporadically, turn off the power and replace the lamp.
- Do not look at LED device directly.
- Do not spray a pesticide over this lamp.

MODEL NO.

LDGC0627CE4EUD

DESCRIPTION

**TOSHIBA LED LAMP
E-CORE**

APPROVED BY

CHARGED BY

M. Kamata

K. Ogawa

DRAWING NO.

BA2011-00075-01

3rd ANGLE

SCALE: —




UNIT: mm

TOSHIBA

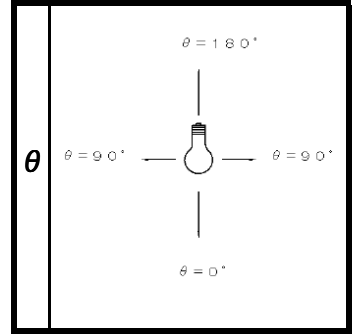
TOSHIBA LIGHTING & TECHNOLOGY CORPORATION

TOSHIBA LIGHTING EQUIPMENT ENGINEERING DATA SHEET

NAME	LED Lamp "E-CORE"
MODEL NO.	LDGC0627CE4EUD
COVER	
OPTION NO.	
OPTION SPEC	

EFFICIENCY	
F 	%
F 	%
F 	100 %
LUMINAIRE LUMEN OUTPUT	250 lm

SHRmax	
A-A (SPACING CRITERIA ACROSS)	1.9 H
B-B (SPACING CRITERIA ALONG)	1.9 H
WATTAGE	
	6 W



REMARKS

THE DATA IS EARLY TYPICAL VALUE.

LUMINOUS INTENSITY (cd/1000lm)			
θ	A-A	B-B	C-C
0°	169		
10°	177		
20°	247		
30°	264		
40°	245		
50°	194		
60°	142		
70°	73		
80°	49		
90°	36		
100°	27		
110°	21		
120°	16		
130°	12		
140°	8		
150°	5		
160°	2		
170°	1		
180°	0		

REF-LEC-TANCE (%)	CEILING	80						70						50						30		20		0	
	WALL	70		50		30		70		50		30		50		30		30		10		0			
	FLOOR	30	10	30	10	30	10	30	10	30	10	30	10	30	10	30	10	30	10	30	10	10	0		
ROOM INDEX	UTILIZATION FACTOR (× 0.01)																								
0.60	56	52	41	39	32	31	54	50	40	38	32	31	38	36	30	30	29	28	24	21					
0.80	67	61	52	49	43	41	64	59	51	48	42	40	48	45	40	39	38	37	32	29					
1.00	77	69	62	58	52	49	73	66	60	56	51	48	56	53	48	47	46	45	40	37					
1.25	84	75	70	64	60	57	80	72	68	63	59	56	63	60	56	53	53	51	46	43					
1.50	90	79	77	70	67	62	86	77	74	68	65	61	69	65	62	59	58	57	51	48					
2.00	98	85	87	78	78	71	94	83	83	76	75	70	77	72	71	67	67	64	59	56					
2.50	103	89	93	82	85	76	98	86	89	80	82	75	83	76	77	72	72	69	64	61					
3.00	107	92	98	86	90	80	102	89	94	84	87	79	86	80	81	75	76	72	68	64					
4.00	111	95	104	90	97	85	106	92	99	88	94	84	91	84	87	80	81	77	73	69					
5.00	114	97	108	93	102	89	109	94	103	90	98	87	95	86	91	83	84	80	76	72					
10.00	120	101	117	98	113	96	115	98	111	96	108	94	102	92	99	90	91	86	83	79					

